



Hinged Security Door Hardware



Hinged Security Door Hardware

Tasman™ Mk3

Application / Description

Single or Multi point hinged security or screen door lock.

Features and Specifications

DUALSELECT

- DualSelect offers safety and security for all occupants by giving a choice of selecting privacy-lock or deadlock when exiting the home. Turning the key to the first selection engages the privacy-lock, which offers security from the outside whilst allowing occupants inside to safely exit using the internal privacy snib. The second selection engages the deadlock, which provides security, but requires the key to unlock the door from inside and outside
- Internal padlock symbol denotes door is in deadlock mode
- Contemporary styled furniture with pre-assembled handles and snib
- Patented anti-jimmy extra wide serrated locking bolt

S7 SECURITY

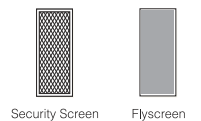
D8 DURABILITY

- High performance lock meets or exceeds relevant requirements of Australian Standard AS 4145.2-2008 to Level S7 and D8
- Successfully tested on security screen doors in accordance with Australian Standard AS 5039-2003: Security Screen Doors and Security Window Grilles and AS 5041-2003: Methods of test
- Patentable features for centre and auxiliary locks
- Fits industry standard cut outs
- Retrofits previous Whitco Tasman lock
- Zinc diecast lock mechanism and furniture
- Easy installation
- Suits either left or right hand opening hinged security and screen doors
- Mortice lock with inside snib
- Key overrides snib
- Automatic latching
- Accepts Whitco Euro profile lazy cam cylinder locks
- Suit standard 20 mm door thickness
- Stainless steel strikes

Available in Display Pack only.

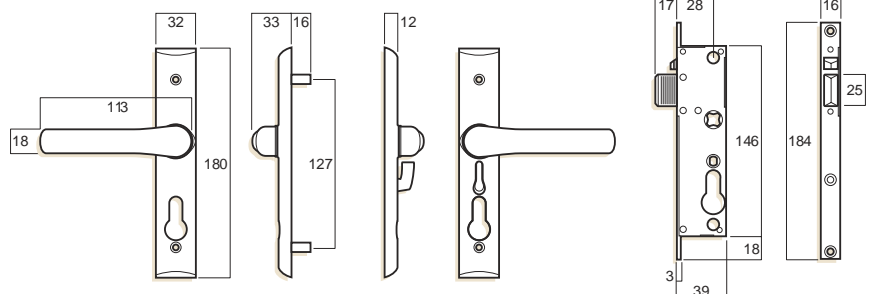


Aluminium Steel



Keying

- Use with Whitco Euro profile lazy cam cylinder locks
- 2 x 5 pin cylinder
- 2 x 10 disc cylinder



Hinged Security Door Hardware

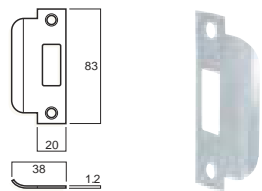
Tasman™ Mk3

Accessories

Strike – Centre lock

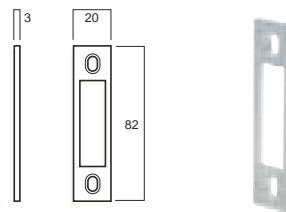
Standard (Stainless steel)

W804000



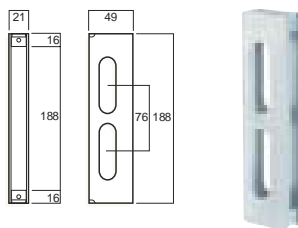
Strike Packer (Zinc diecast)

W844100



Lock cage

W841100



Ordering

Display Pack

MK3 Tasman Brown	W801113
MK3 Tasman White	W801116
MK3 Tasman Black	W801117
MK3 Tasman Gold Spangle	W801118
MK3 Tasman Primrose	W801119

Display Pack includes Standard Strike, Anti-jimmy Strike Kit, Standard Furniture, Cylinder, Spindle, Fixing Screws and Screw Hole Plugs.

Hinged Security Door Hardware

Tasman™ MK2

Application/Description

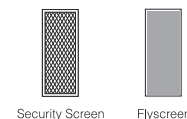
Single or Multi point hinged security or screen door lock.

Features and Specifications

- Contemporary styled furniture
- Non handed furniture - suits left-hand and right-hand doors
- Serrated locking bolt provides extra grip against forced entry
- 3 point kits for additional security available
- Fits industry standard cut outs
- Retrofits previous Whitco Tasman lock
- Zinc diecast lock mechanism and furniture
- Easy installation
- Suits either left or right hand opening hinged security and screen doors
- Mortice lock with inside snib
- Key overrides snib
- Automatic latching
- Accepts Whitco Euro profile lazy cam cylinder
- Suit standard 20 mm door thickness
- Stainless steel strikes



Aluminium Steel



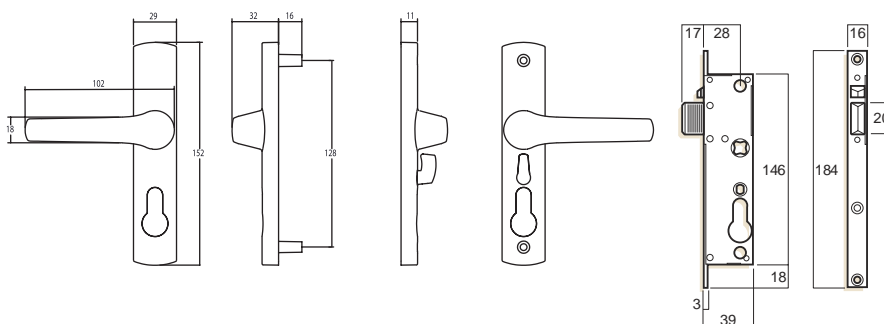
Available in Trade Pack only.

Keying

- Use with Whitco Euro profile lazy cam cylinder locks
- 2 x 5 pin cylinder
- 2 x 10 disc cylinder

Standard Finishes

Brown	13
White	16
Black	17
Gold Spangle	18
Primrose	19



Non Standard Finishes

Not available in other finishes.

Hinged Security Door Hardware

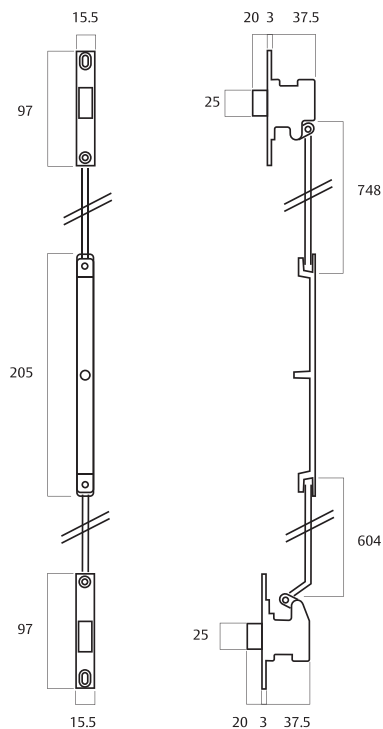
Tasman Mk2 Multi Point Lock Accessory Kits

Accessories

Single or Multi point hinged security or screen door lock

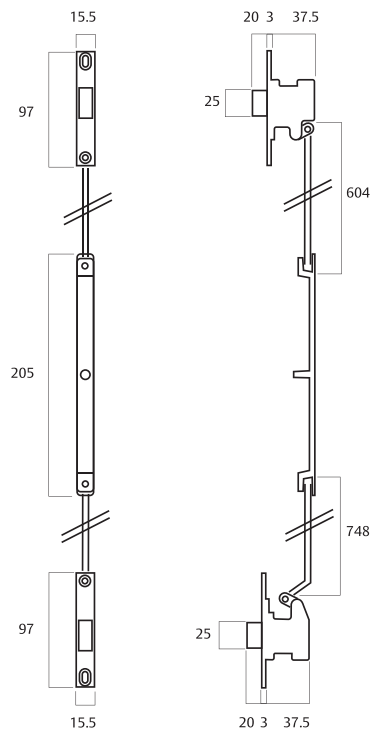
Standard Multi Point Kit
(below centre line kit)

W893117



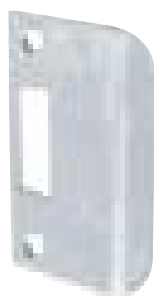
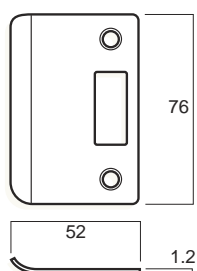
Reversed Multi Point Kit
(above centre line kit)

W893217



Extra Width Strike (Stainless steel)

W844500



Ordering

Trade Pack

Lockbody, standard strike, furniture, screws, and no cylinder W8921••

Accessories

Standard Multi Point Kit Auxiliary Locks, Rods, Standard Strikes W893117

Reversed Multi Point Kit Auxiliary Locks, Rods, Standard Strikes W893217

Extra Width Strike W844500

•• Denots finish. See price list for available pack/finish combinations

Hinged Security Door Hardware

Tasman™ Escape

Application / Description

Emergency escape hinged security or screen door lock. Free to exit at all times.

Features and Specifications

The lock status indicator positioned above the cylinder provides visual indication of the lock's status. In the vertical position the indicator shows that the Tasman Escape is unlocked. In the 45 position the indicator shows that the Tasman Escape is locked from the outside.

- Easy installation with pre-assembled handles
- Patented anti-jimmy serrated locking bolt
- Fits industry standard cut outs
- Suits standard 20 mm door thickness
- Retrofits previous Whitco Tasman Lock
- Suits either left or right hand opening hinged security and screen doors
- Automatic latching
- Contemporary styled handles
- Stainless steel strike
- High performance lock conforms to the relevant requirements of Australian Standards AS4145.2 - 2008 to physical security level S7 and durability level D8
- Successfully tested on security screen doors in accordance with Australian Standard AS5039 - 2003: Security Screen Doors and Security Window Grills and AS5041 - 2003: Methods of Test
- Available in single point locking only

Available in Trade Pack only.

Keying

- Use with Whitco euro profile lazy cam cylinder locks
- 2 x 5 pin non handed cylinder and turnknob

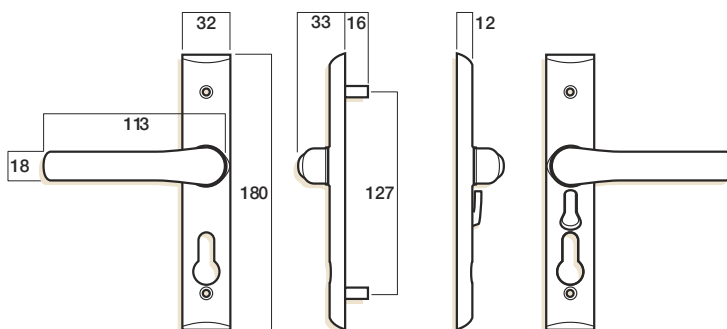
Non Standard Finishes

Other polyester powder coat finishes available on application.



Security Screen

Flyscreen



Standard Finishes

Silver	11
Brown	13
White	16
Black	17
Gold Spangle	18
Primrose	19
Hawthorn Green	20
Doeskin	23
Stone Beige	28
White Birch	41

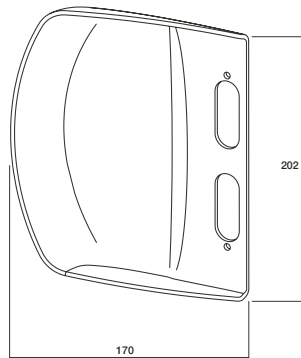
Hinged Security Door Hardware

Tasman Escape

Accessories

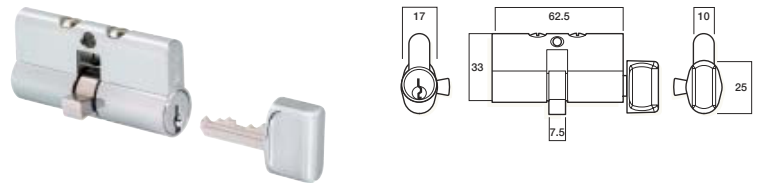
Security Door Lock Guard
(Black)
(Natural)

W809017
W809000



Non Handed Cylinder and Turnknob
(KD, Bright Chrome)
(2 X KA, Bright Chrome)

W841500
W841600



Strikes

The Tasman Escape suits all Tasman MK3 strikes and lock cage.

Ordering

Trade Pack

Lockbody, standard strike, furniture, screws, and no cylinder W8070••

Accessories

Security Door Lock Guard (Natural) W809000

Security Door Lock Guard (Black) W809017

Non Handed Cylinder and Turnknob, 2 x 5 pin (KD, Bright Chrome) W841500

Non Handed Cylinder and Turnknob, 2 x 5 pin (2 x KA, Bright Chrome) W841600

•• Denots finish. See price list for available pack/finish combinations

Hinged Security Door Hardware

Safety Lock

Application / Description

Keyed hinged screen door lock.

Features and Specifications

- Suits either left or right hand opening hinged screen doors – reversible latch bolt to suit inward or outward opening doors
- Surface mounted lock
- Key lock from inside or outside
- Zinc diecast construction
- Suits standard 20 mm door thickness

Available in Display and Trade Packs.

Keying

- 10 disc integral barrel
- Two Whitco chrome plated brass keys



Standard Finishes

Brown	13
Black	17

- Aluminium
- Timber



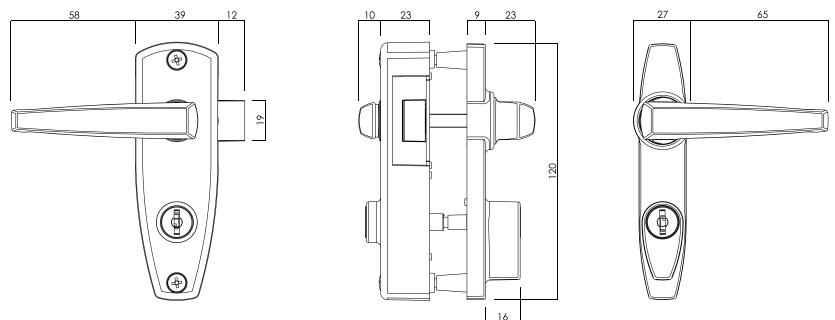
Flyscreen

Non Standard Finishes

Not available in other finishes.

Accessories

No accessories are available for this product.



Ordering

Display Pack	
Lock and Strike with Screws	W8505••
Trade Pack	
Single Pack	W850117

•• Denots finish. See price list for available pack/finish combinations

Hinged Security Door Hardware

Cylinder – Euro Profile Lazy Cam

Application / Description

Cylinder to suit Whitco Leichhardt, Tasman and Tasman Escape security screen door locks.

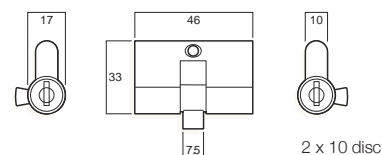
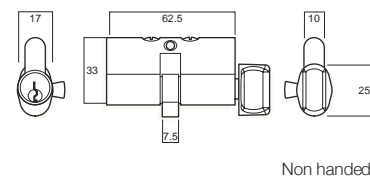
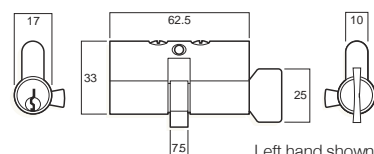
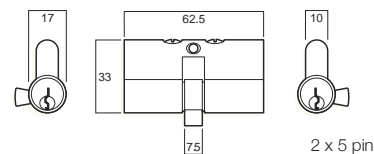
Features and Specifications

- Available in Bright Chrome
- Double cylinder, C4 key profile
- Brass and zinc diecast construction
- Made to Whitco specifications

Available in Display and Trade Packs.

Keying

- Two versions available:
- 2 x 5 pin, C4 key profile cylinder lock, can be keyed alike to other Whitco 5 pin C4 cylinder locks
- 2 x 10 disc, profile cylinder locks
- Two Whitco chrome plated brass keys included



Standard Finishes

Bright Chrome 08

Non Standard Finishes

Not available in other finishes.

Ordering

Display Pack Double Cylinder	Turnknob & 5 Pin		
2 x 5 Pin with screw	W840700	Random Keyed Turnknob & 5 Pin / Right Hand	W845500
2 x 10 Disc with screw	W840800	Random Keyed Turnknob & 5 Pin / Left Hand	W845600
Trade Pack 2 x 5 Pin / Double Cylinder	2 Keyed Alike / Turnknob & 5 Pin / Right Hand		
Random Keyed	W841200	2 Keyed Alike / Turnknob & 5 Pin / Left Hand	W845800
2 Keyed Alike	W842200	Random Keyed / Non-handed Turnknob & 5 Pin	W841500
3 Keyed Alike	W842300	2 Keyed Alike / Non-handed Turnknob & 5 Pin	W841600
4 Keyed Alike	W842400	2 x 10 Disc / Double Cylinder	
10 Keyed Alike	W842500	Single Random Keyed	W841400
10 Keyed Alike - Gold Plated	W842502	2 Keyed Alike	W843200
20 Keyed Alike	W842600	3 Keyed Alike	W843300
50 Keyed Alike	W842800	4 Keyed Alike	W843400
Use in		10 Keyed Alike	W843500
Whitco Leichhardt Sliding Security Screen Door Lock		20 Keyed Alike	W843600
Whitco Tasman Hinged Security Screen Door Lock			
Whitco Tasman Escape Hinged Security Screen Door Lock			

Hinged Security Door Hardware

Screen Door Latch

Application / Description

Hinged screen door latch.

Features and Specifications

- Suits either left or right hand opening hinged screen doors
- Surface mounted latch
- Inside snib
- Maximum door thickness 25 mm
- Zinc die cast construction with steel strike

Available in Display and Trade Packs.

Standard Finishes

Silver	11
Brown	13
Black	17

Non Standard Finishes

Not available in other finishes.

Accessories

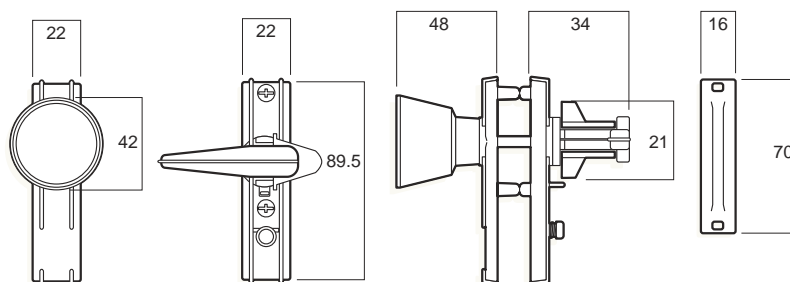
No accessories are available for this product.



Aluminium Timber



Flyscreen



Ordering

Display Pack	W8203••
Trade Pack	W8201••

•• Denotes finish. See price list for available pack/finish combinations

Hinged Security Door Hardware

Screen Door Closer

Application / Description

Hinged screen and security screen doors.

Features and Specifications

- Smooth pneumatic operation
- Suits either left or right hand closing hinged doors
- Adjustable closing speed with hold open bracket
- Surface mounted
- Tough aluminium and UV resistant
- ABS polymer construction
- Standard version available

Available in Display and Trade Packs.

Standard Finishes	
Silver	11
White	16
Black	17
Gold Spangle	18
Primrose	19
Ranch Brown	25
Stone Beige	28

Non Standard Finishes

Not available in other finishes.

Accessories

No accessories are available.

Performance

Standard version suitable for screen door or security doors up to 18 Kg.



Aluminium

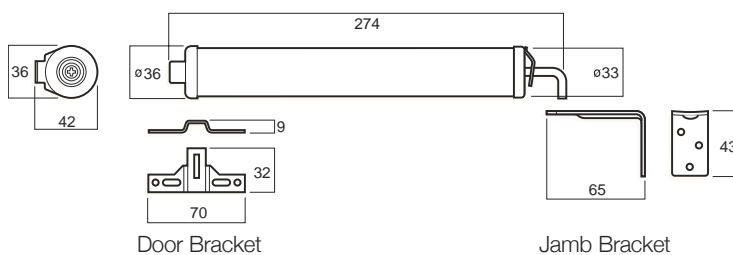
Timber



Security Screen



Flyscreen



Door Bracket

Jamb Bracket

Ordering

Display Pack

Standard W8107••

Trade Pack

Standard W8105••

•• Denotes finish. See price list for available pack/ finish combinations

Hinged Security Door Hardware

Screen Door Hinges

Application / Description

Steel hinges specifically designed for aluminium security screen doors.

Features and Specifications

- Steel construction with stainless steel fixed pin
- Door leaf sits over lip on edge of door style for added security
- Safety prong version increases door security when closed by making door captive even if pin is removed
- Step-over version with added fixing points



Standard Finishes	
Galvanised	01
Silver	11
Brown	13
Pottery	14
White	16
Black	17
Gold Spangle	18
Primrose	19
Hawthorn Green	20
Doeskin	23
Magnolia	24
Stone Beige	28
White Birch	41

Non Standard Finishes

Other finishes available on application.

Ordering	
Trade Pack	
Steel Fixed Pin	W8314••
Steel Fixed Pin with Safety Prong	W8316••
Steel Fixed Pin Step Over Version	W831817
Display Pack	
Steel Fixed Pin (pack of 3)	W8312••

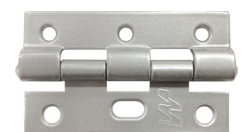
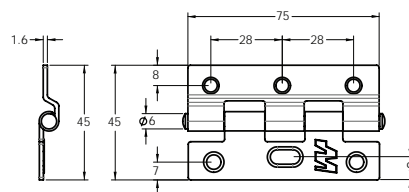
Accessories	
Packer	
Zinc plated 0.8mm steel packer	W831501

•• Denotes finish. See price list for available pack/finish combinations

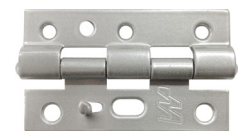
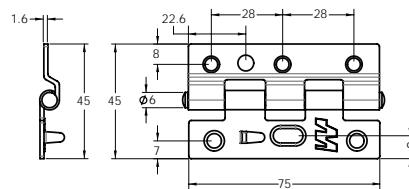
Aluminium



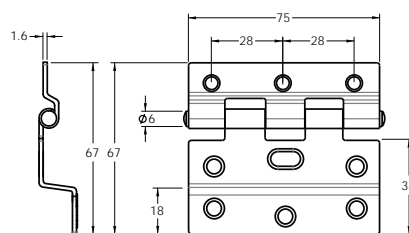
Security Screen



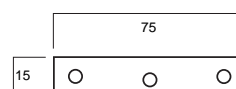
W831411



W831611



W831817



W831501

Whitco®

Whitco protects millions of Australian homes and offers the largest range of security and hardware products for residential doors and windows in Australia. With our proud heritage, and by offering a wide variety of locks at affordable prices, Whitco has become one of Australia's most trusted brands.

The Whitco brand is an integral part of ASSA ABLOY Australia Pty Limited, the market leader in the lock and security products industry in Australia.

ASSA ABLOY

ASSA ABLOY is the global leader in door opening solutions, dedicated to satisfying end-user needs for security, safety and convenience.

ASSA ABLOY is represented in all major regions, in both mature and emerging markets, with leading positions in Australia, Europe and North America.

As the world's leading lock group, ASSA ABLOY offers a more complete product range of door opening solutions than any other company in the market.

Australia
1300 LOCK UP (1300 562 587)
whitco.com.au

New Zealand
Telephone +64 94157111
assaabloy.co.nz

ASSA ABLOY Australia Pty Ltd
235 Huntingdale Road
Oakleigh, Victoria, 3166
Australia

info.au@assaabloy.com
assaabloy.com.au

ASSA ABLOY New Zealand Ltd
6 Armstrong Road
Albany, North Shore City, 0632
New Zealand

info.nz@assaabloy.com
assaabloy.co.nz

An ASSA ABLOY Group brand

Disclaimer

Whilst every effort has been made to ensure that the information contained in this brochure is accurate at the time of publication, ASSA ABLOY Australia Pty Limited ("ASSA ABLOY") recommends that you consult ASSA ABLOY or its agents prior to placing an order to ascertain current information on specific products, as ASSA ABLOY reserves the right to make any changes without notice. ASSA ABLOY will not be liable for any injury, loss or damage whatsoever, arising from any errors or omissions in the information contained in the brochure or arising from the use or application of the information contained herein.